

COASTER[®] 203651KE (B1 - B3)

FINE FURNITURE EASTERN KING SIZE PANEL BED

ASSEMBLY INSTRUCTIONS COASTER FINE FURNITURE



www.coastercompany.com

ASSEMBLY TIPS :

1. Remove hardware from box and sort by size
2. Please Check to see that all hardware and parts are present prior to start of assembly
3. Please follow attached instruction in the same sequence as numbered to assure fast and easy assembly.

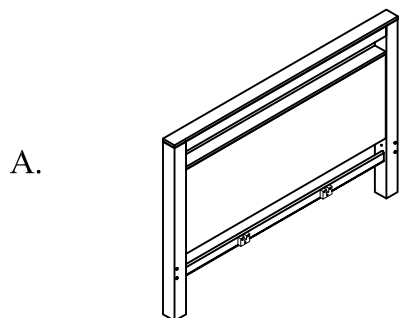


WARNING !

1. Don't attempt to repair or modify parts that are broken or defective. Please contact the store immediately
2. This product is for home use only and not intended for commercial establishment.

PARTS IDENTIFICATION

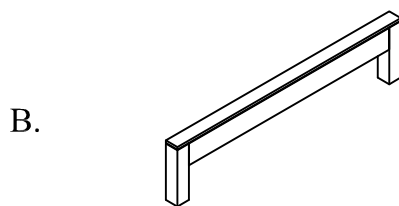
B1 (BOX 1)



HEADBOARD

1 PC

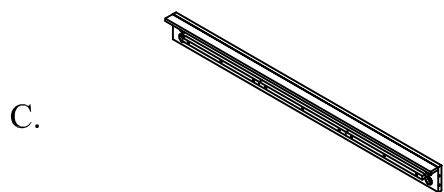
B2 (BOX 2)



FOOTBOARD

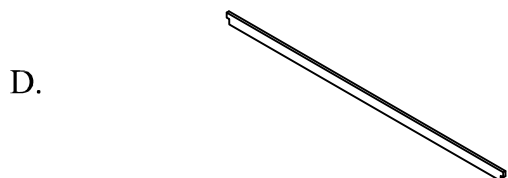
1 PC

B3 (BOX 3)



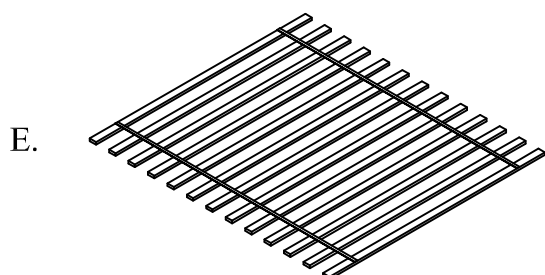
BED RAIL

2 PCS



CENTER RAIL

2 PCS



ROLL SLAT

1 PC

ASSEMBLY TIPS :

1. Remove hardware from box and sort by size
2. Please Check to see that all hardware and parts are present prior to start of assembly
3. Please follow attached instruction in the same sequence as numbered to assure fast and easy assembly.

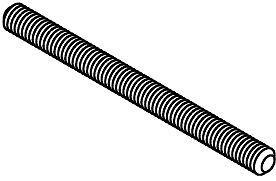
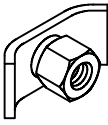
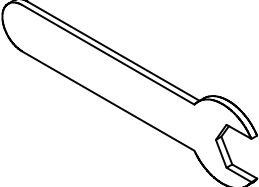


WARNING !

1. Don't attempt to repair or modify parts that are broken or defective. Please contact the store immediately
2. This product is for home use only and not intended for commercial establishment.

HARDWARE IDENTIFICATION

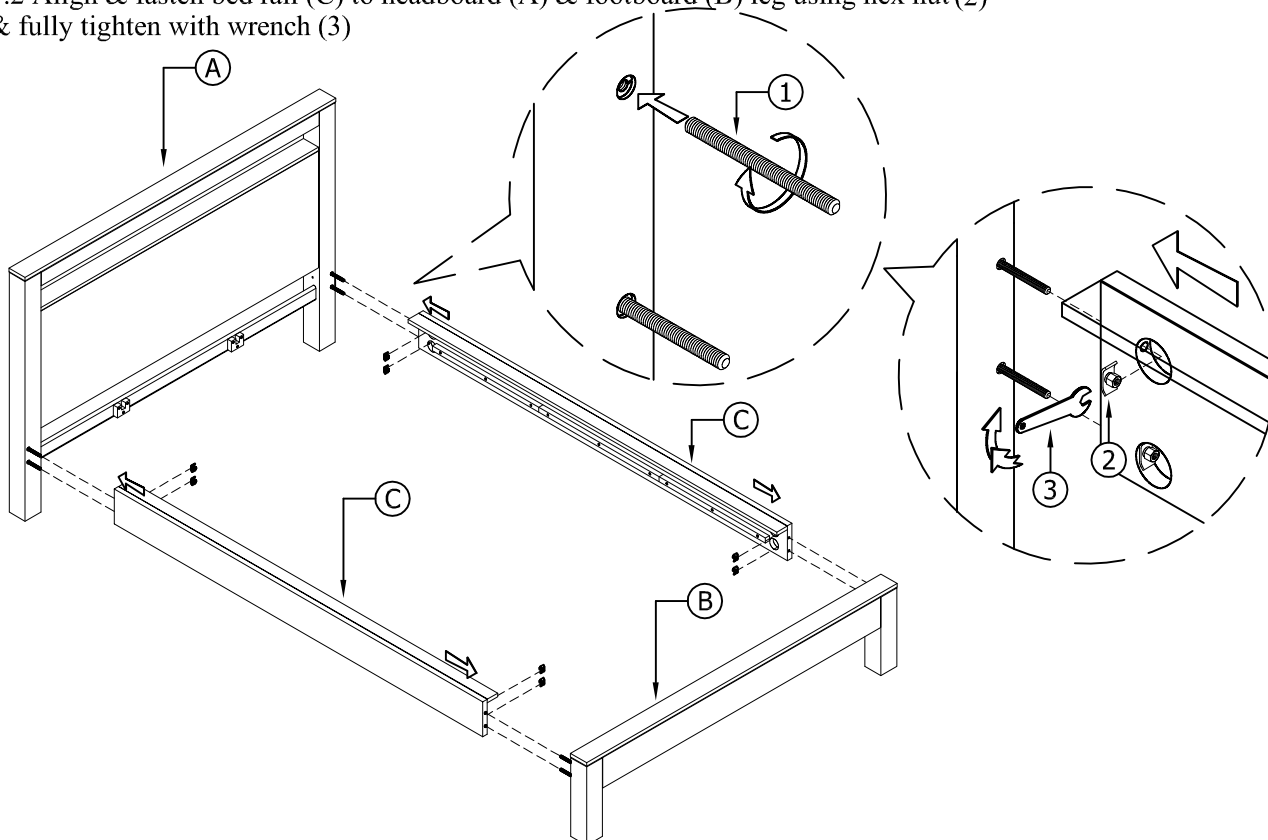
Z - B3 (BOX 3) - Hardware pack is located in 203651KE (B3)

1.		THREAD BOLT	8 PCS
2.		HEX NUT	8 PCS
3.		WRENCH	1 PC

203651KE (B1 - B3) - BOX 1 TO BOX 3

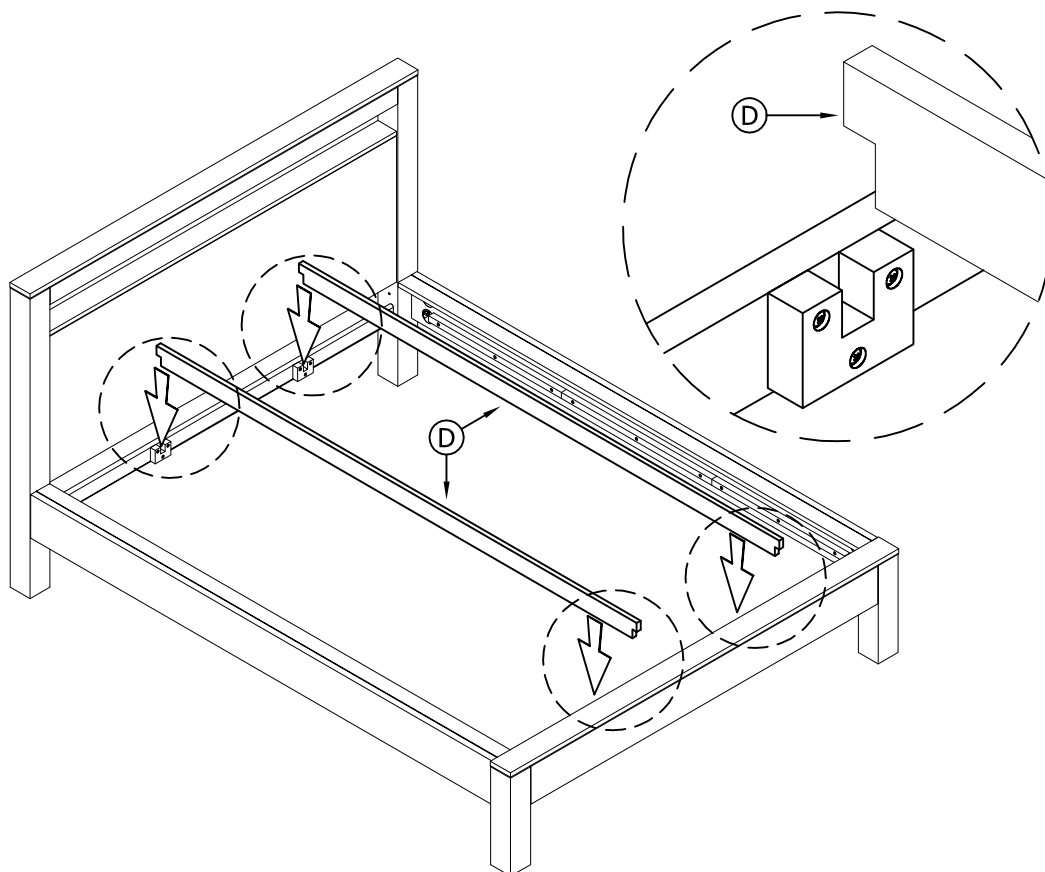
STEP 1

- 1.1 Screw in thread bolt (1) to headboard (A) & footboard (B) leg
- 1.2 Align & fasten bed rail (C) to headboard (A) & footboard (B) leg using hex nut (2) & fully tighten with wrench (3)



STEP 2

Align & insert center rail (D) onto the "U" bracket at the center of headboard (A) & footboard (B)



STEP 3

Align & place roll slat (E) onto bed rail (C) & center rail (D)

